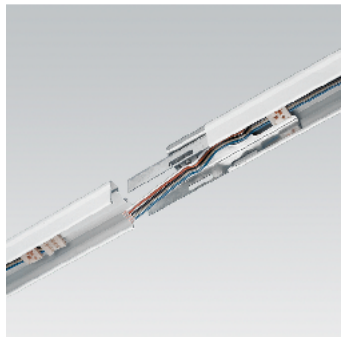


Overview of product data:  
**5LJ90910XV**

**connector,galv.steel,galv.**

1/2



**Product description**

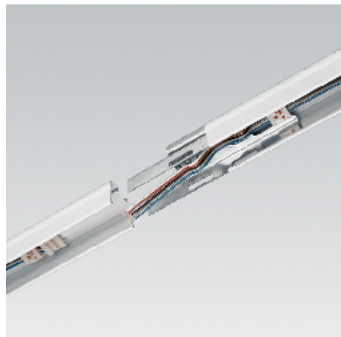
installation accessories, for DUS®, connector, made of steel, galvanised, galvanised, packing unit: 1 piece,

Wt. (kg): 0.5  
Order No.: 5LJ90910XV  
EAN: 4039806168108

Product data details:  
**5LJ90910XV**

**connector,galv.steel,galv.**

2/2



**Detailed technical description**

**Key data**

- Product type: installation accessories
- Family: DUS®
- Order No.: 5LJ90910XV

**Material | Colour**

- connector: steel, galvanised, galvanised, for mounting rail

**Dimensions | Weight**

- Weight: 0.5 kg