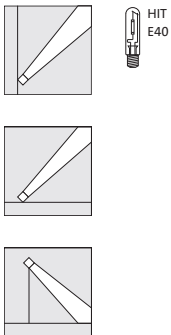
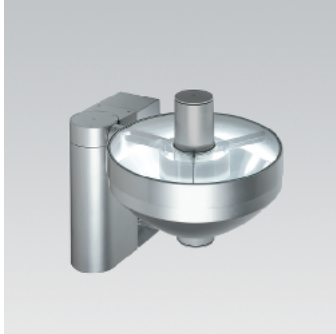


Overview of product data:
5NW41421TG1

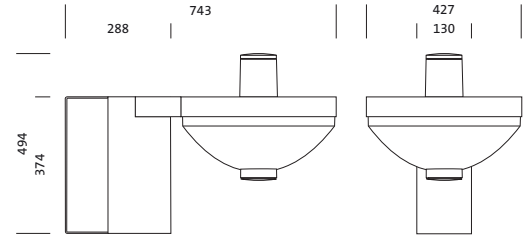
SMW 400,1x400W,HIT,LLCG w.TPS,TSG,dir

1/3



Product description

Siteco Mirrortec Projector 400, projector, primary light steering with: reflector, made of ultra-pure aluminium (Al 99.98 %), plated and anodised, primary anti glare: baffle ring, made of sheet steel, matt, coated, primary enclosure: cover glass, made of toughened safety glass, light output: direct beam, primary light characteristic: rotationally symmetrical, installation mode: surface-mounted, for 1 x HIT 400W, superimposed pulse ignitor with auto. power-off, control gear: LLCG with thermal protection switch, with parallel p.f. correction, with terminal, 3-pole, max 2.5mm², mains connection: 230V, 50Hz, housing, made of aluminium, coated, metallic grey (RAL 9006), length: 743 mm, width: 427 mm, mounting bracket, made of steel, galvanised, coated, metallic grey (RAL9006), protection rating (complete): IP65, insulation class (complete): insulation class I (protective earthing), approval mark: CE, packing unit: 1 piece,

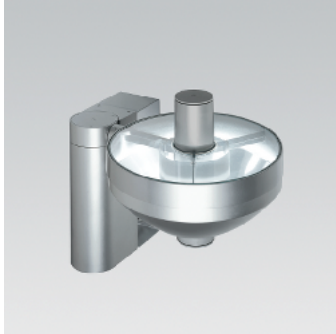


IP 65 Ⓢ Ⓡ Ⓢ

Lamps: 1x HIT 400W
 Socket: E40
 Wt. (kg): 21.6
 Order No.: 5NW41421TG1
 EAN: 4039806371416

Product data details:
5NW41421TG1**SMW 400,1x400W,HIT,LLCG w.TPS,TSG,dir**

2/3

**Detailed technical description****Key data**

- Product type: projector
- Family: Siteco Mirrortec Projector 400
- Order No.: 5NW41421TG1

Lighting technology | Lamps | Ballast**Components 1****Lighting technology:**

- Light control: reflector of ultra-pure aluminium (Al 99.98 %), plated and anodised
- Cover: cover glass
- Glare reduction: baffle ring of sheet steel, matt, coated
- Beam angle: optimised for secondary reflector systems, parallel beam
- Symmetry: rotationally symmetrical
- Light emission: direct distribution

Lamps:

- Light source: metal halide lamp, 1x HIT 400W
- Socket: E40
- Supplement: built in ignitor and ballast

Ballast:

- Ballast: LLCG w. th. prot.

Material | Colour

- housing: aluminium, coated, metallic grey (RAL 9006), with bonded cover
- mounting bracket: steel, galvanised, coated, metallic grey (RAL9006)
- Quantity: 1 pcs.
- Cover: cover glass of toughened safety glass

Mounting

- Mounting method, mounting location: surface-mounted, to mast, to the wall

Electrical Connection

- Connection: terminal, 3-pole, max 2.5mm²
- Nominal voltage: 230V, 220..240V, 50Hz

Dimensions | Weight

- Length: 743 mm
- Width: 427 mm
- Weight: 21.6 kg

Approval

- Protection rating: IP65
- Insulation class: insulation class I (protective earthing)
- Certification: CE

Dimensions:
5NW41421TG1

SMW 400,1x400W,HIT,LLCG w.TPS,TSG,dir

