

Overview of product data:
5MC25472QS2

Novaluna S, 2x35/49/80W, T16, ECG-MW, PMMA

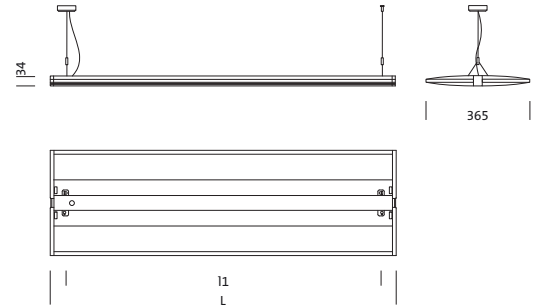
1/3



T16
G5

Product description

Novaluna® S, linear fluorescent luminaire, primary light steering with: specular reflector, primary anti glare: ELDACON®, primary enclosure: prismatic disc, made of PMMA, translucent, secondary light steering with: reflector, secondary enclosure: prismatic disc, made of PMMA, transparent, CAT 2 ($L \leq 1000 \text{cd/m}^2$), light output: indirect/direct beam, primary light characteristic: symmetric, installation mode: suspended mounting, connection cable, for 2 x T16 35/49/80W, control gear: ECG-Multiwatt, with terminal, 3-pole, max 2.5mm², mains connection: 230V, AC, 50Hz, connecting lead: pre-assembled, housing, made of extruded aluminium section, brushed and anodised, natural, length: 1.499 mm, width: 365 mm, height: 33mm, protection rating (complete): IP20, insulation class (complete): insulation class I (protective earthing), approval mark: CE, ENEC, VDE, protection symbol: F, packing unit: 1 piece,



	L	ll
2xT16 28/54W	1199	1098
2xT16 35/49/80W	1499	1398



Lamps: 2x T16 35/49/80W
 Socket: G5
 Wt. (kg): 6.4
 Order No.: 5MC25472QS2
 EAN: 4039806804846

Product data details:
5MC25472QS2
Novaluna S,2x35/49/80W,T16,ECG-MW,PMMA

2/3


Detailed technical description
Key data

- Product type: linear fluorescent luminaire
- Family: Novaluna® S
- Order No.: 5MC25472QS2

Lighting technology | Lamps | Ballast
Components 1
Lighting technology:

- Light control: specular reflector
- Cover: prismatic disc, translucent
- Glare reduction: ELDAICON®
- Beam angle: wide distribution
- Symmetry: symmetric distribution
- Secondary light control: reflector
- Secondary cover: prismatic disc, transparent
- Light emission: indirect/direct distribution
- UGR viewing direction along longitudinal luminaire axis: < 13
- UGR viewing direction along lateral luminaire axis: < 13

Lamps:

- Light source: fluorescent lamp, 2x T16 35/49/80W
- Socket: G5
- Supplement: etaLB ≥ 97%, inc. connection cable

Ballast:

- Ballast: ECG Multiwatt

Material | Colour

- housing: extruded aluminium section, brushed and anodised, natural
- Cover: prismatic disc of PMMA
- Cover: prismatic disc of PMMA

Mounting

- Mounting method, mounting location: suspended mounting, to Y-wire suspension
- Arrangement: single arrangement

Electrical Connection

- Connection: terminal, 3-pole, max 2.5mm²
- Nominal voltage: 230V, AC, 230..240V, 50Hz

Dimensions | Weight

- Length: 1499 mm
- Width: 365 mm
- Height: 33mm
- Weight: 6.4 kg

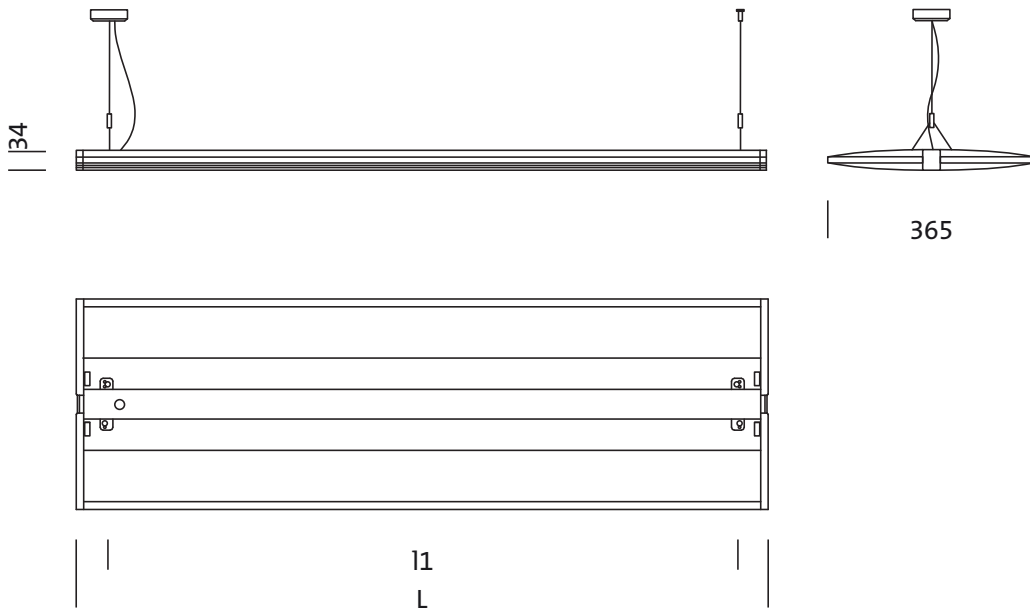
Approval

- Protection rating: IP20
- Insulation class: insulation class I (protective earthing)
- Protection symbol: F
- Certification: CE,ENEC,VDE

Dimensions:
5MC25472QS2

Novaluna S, 2x35/49/80W, T16, ECG-MW, PMMA

3/3



	L	l1
2xT16 28/54W	1199	1098
2xT16 35/49/80W	1499	1398