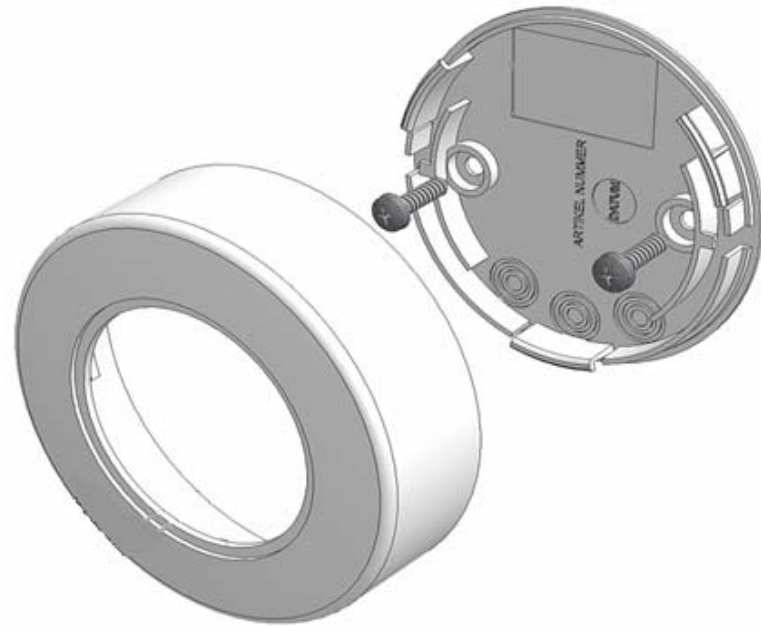


Installation instructions

II / 2007



SENSOR MOUNTING KIT

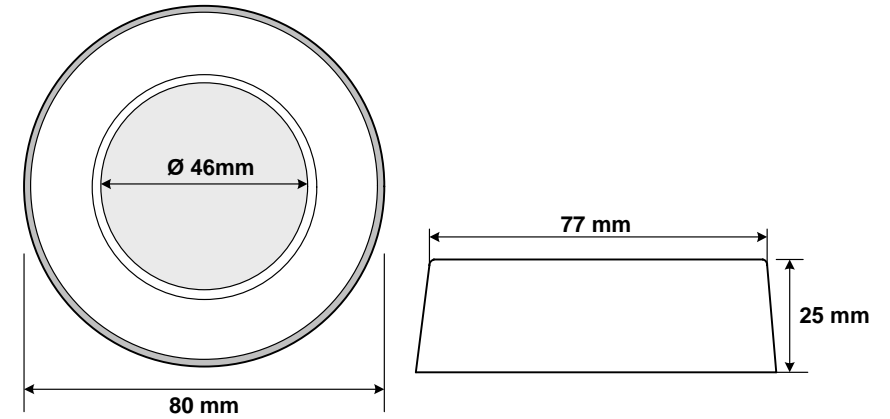
OSRAM GmbH
 Customer-Service-Center (CSC)
 Steinerne Furt 62
 86167 Augsburg, Germany

www.osram.com
www.osram.de

Tel. : (+49) 1803 / 677 - 200 (charges apply)
 Fax.: (+49) 1803 / 677 - 202

General

Design and dimensions



Installation

