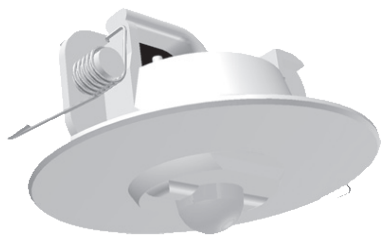
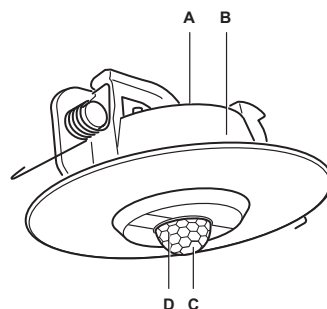


LS/PD MULTI 3 CI



Description



Function and application

The LS/PD MULTI 3 CI sensor detects the presence of people and measures the intensity of ambient light.

The sensor is installed in ceilings.

Construction

The sensor is made up of the following components:

- Connection (A) for supply voltage, light measurement value, motion signal and signal ground
- Housing (B)
- Aperture
- Light sensor (C)
- Motion sensor (D)

Light and motion sensor Fitting instructions

Installation

Safety instructions

The sensor must only be installed and put into operation by a qualified electrician. The applicable safety regulations and accident prevention regulations must be observed.



WARNING!

Exposed, live cables or damaged housing.

Danger of electric shock!

- Only work on the sensor when it is de-energized.

CAUTION!

Destruction of the sensor and other devices through incorrect mounting!

- Only use OSRAM control units of the following types:
DALI MULTI 3/ DIM MULTI 3,
DALI MULTiteco/ MULTiteco, DALI PROFESSIONAL Sensor Coupler.
- For SELV, ensure that there is sufficient insulation from live parts.
- Do not connect control line with external voltage.
- Note the maximum total line length.
- Do not route the sensor line together with the power or lamp line.

Adjusting the detection area

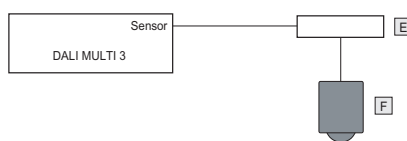
Limit the detection area:

- ① Divide the aperture at the preset breaking points as required.
- ② Pierce the cover with a pointed object to create the fixing holes.
- ③ Attach the aperture.

Adjust the detection area:

Tilt the motion sensor up to 30° in the required direction.

Connecting the sensor



Connect the sensor using the supplied cable or a commercially available 4-pin cable. If the cable is shortened or lengthened, ensure that the wiring is correct.

Sensors can be connected in parallel via a Y-branch. For the maximum number of sensors: see the separate control unit manual.

E Y-branch (optional)

F Sensor

II 2009

LSPD_Multi3-CI_ma0902en_we1.01.indd

OSRAM GmbH
Kunden Service Center
Customer-Service-Center (CSC)

Steinerne Furt 62
86167 Augsburg
Germany

Tel : +49 (0) 1803 677 - 200
(kostenpflichtig / charges apply)
Fax.: +49 (0) 1803 677 - 202

www.osram.com

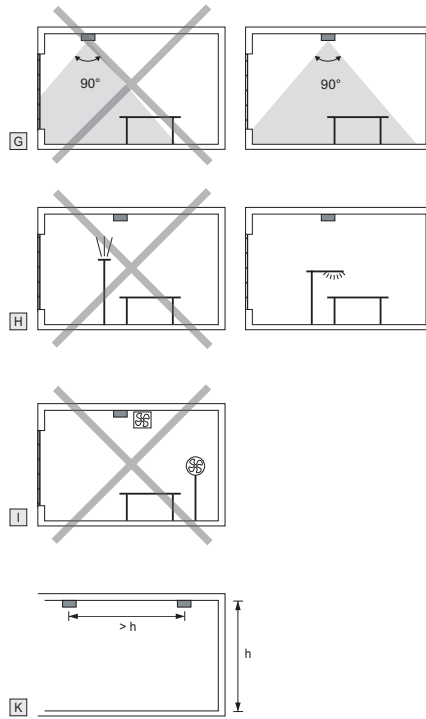
www.osram.de



4008321916648

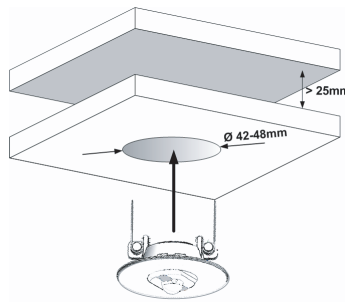
Continued on the back page!

Fitting (cont.)



Selecting the installation location

- G Surveillance cone: entire workplace; not on window surfaces.
- H Avoid exposure to direct light.
- I Avoid drafts (e.g. from ventilators or fans).
- K Installation distance = min. installation height



Ceiling installation

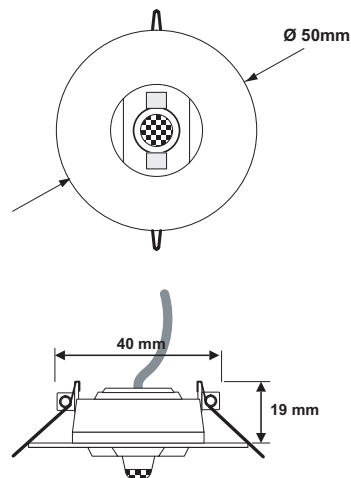
- Diameter of installation opening 42 - 48 mm.
- Minimum suspended ceiling distance: 25 mm

Note:

For surface-mounted ceiling installation, use the SENSOR KIT (order no. 4008321916662).

Appendix

Technical data



Combined control and supply connection	4-pin modular connection (4p4c) 1: Supply voltage 2: Light measurement value 3: Motion signal 4: Signal ground
Maximum total length of signal line (incl. all connections to the control units)	100 m
Insulation	Basic insulation as per IEC 664
Dimensions (Ø x H)	50 x 25 mm
Light sensor detection area	20 - 600 lx (measured at sensor), opening angle approx. 90°
Motion detection area	Conical, opening angle approx. 80°

The CE requirements to EN 61347-11 are fulfilled. The EMC requirements to EN 61547 are fulfilled.



Conformity with the relevant EU directives is confirmed by the CE symbol.