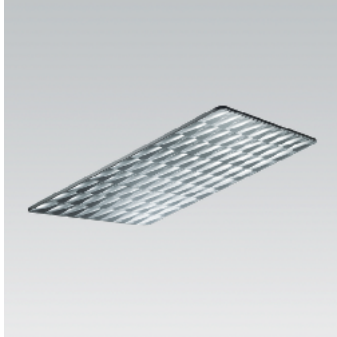


Overview of product data:  
**5NW14091QC**

**fres.ref,hgh.spec.,lt pt res.**

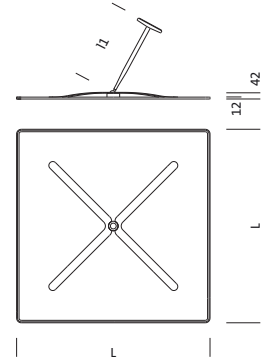
1/3



**Product description**

secondary reflector, for Siteco Mirrortec® Indoor, ball-and-socket joint pendant, housing, square, made of aluminium, coated, metallic grey (RAL 9006), Fresnel reflector 100, made of PMMA, aluminium vaporised, highly specular, light point resolution, Fresnel structure, length: 1.200 mm, width: 1.200 mm,

Wt. (kg): 18.2  
Order No.: 5NW14091QC  
EAN: 4039806588586

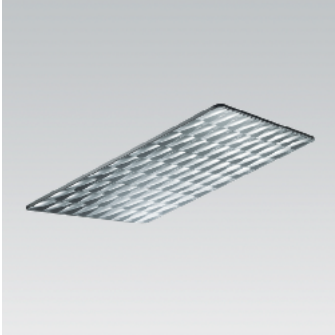


	L	l1
5NW140..QA	618	330
5NW140..QB	919	490
5NW140..QC	1221	640

Product data details:  
**5NW14091QC**

**fres.ref,hgh.spec.,lt pt res.**

2/3



**Detailed technical description**

**Key data**

- Product type: secondary reflector
- Family: Siteco Mirrortec® Indoor
- Order No.: 5NW14091QC

**Lighting technology | Lamps | Ballast**

**Components 2**

**Lighting technology:**

- Light control: Fresnel reflector 100 of PMMA, aluminium vaporised, highly specular
- Glare reduction: light point resolution, Fresnel structure
- Beam angle: wide distribution
- Symmetry: asymmetric distribution

**Material | Colour**

- ball-and-socket joint pendant: aluminium, coated, metallic grey (RAL 9006), square
- housing: aluminium, coated, metallic grey (RAL 9006), square

**Mounting**

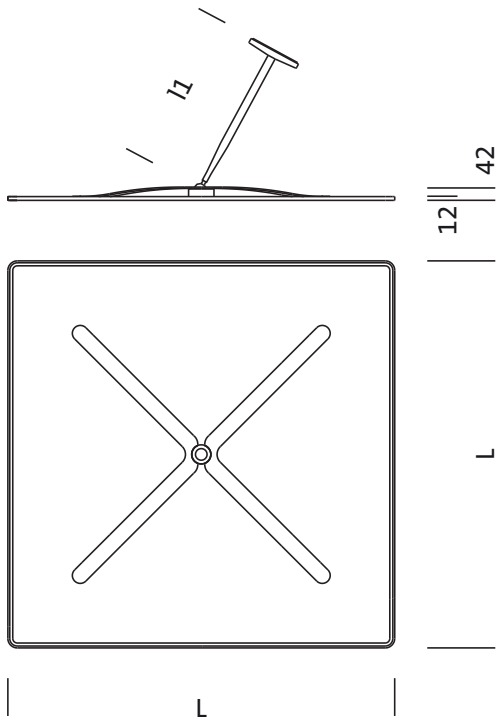
- Mounting method, mounting location: suspended mounting, to the ceiling, to the wall
- Arrangement: single arrangement

**Dimensions | Weight**

- Length: 1200 mm
- Width: 1200 mm
- Weight: 18.2 kg

Dimensions:  
**5NW14091QC**

fres.ref,hgh.spec.,lt pt res.



	L	l1
5NW140 ..QA	618	330
5NW140 ..QB	919	490
5NW140 ..QC	1221	640