

Overview of product data:  
**5LR61271TA41AF**

**Lunis R,1x55W,T16R,ECG,dir**

1/3

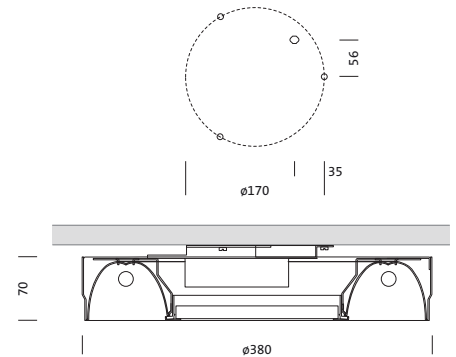


**Product description**

Lunis R®, downlight, light steering with: reflector, made of ultra-pure aluminium (Al 99.98 %), partly perforated, highly specular, light output: direct beam, 1 x T16-R 55W, control gear: ECG, with terminal, 3-pole, max 2.5mm<sup>2</sup>, mains connection: 230V, AC, 50Hz, housing, cylindrical, made of aluminium, coated, metallic grey (RAL 9006), diameter: 380 mm, central ring, made of plastic, graphite (RAL7037), central module, blanking cover, made of sheet steel, perforated, metallic grey (RAL9006), protection rating (complete): IP20, insulation class (complete): insulation class I (protective earthing), approval mark: CE,ENEC,VDE, protection symbol: F, ambient temperature limit for indoor applications: ≤ +25°C, standard:EN 50419,



Lamps: 1x T16-R 55W  
 Socket: 2GX13  
 Wt. (kg): 2.4  
 Order No.: 5LR61271TA41AF  
 EAN: 4039806158048



Product data details:  
**5LR61271TA41AF**
**Lunis R,1x55W,T16R,ECG,dir**

2/3


**Detailed technical description**
**Key data**

- Product type: downlight
- Family: Lunis R®
- Order No.: 5LR61271TA41AF

**Lighting technology | Lamps | Ballast**
**Components 1**
**Lighting technology:**

- Light control: reflector of ultra-pure aluminium (Al 99.98 %), highly specular, partly perforated
- Beam angle: wide distribution
- Symmetry: symmetric distribution
- Light emission: direct distribution

**Lamps:**

- Light source: fluorescent lamp, 1x T16-R 55W
- Socket: 2GX13

**Ballast:**

- Ballast: ECG

**Material | Colour**

- housing: aluminium, coated, metallic grey (RAL 9006), cylindrical, please order optical accessories separately
- Quantity: 1 pcs.
- central ring: plastic, graphite (RAL7037)
- Quantity: 1 pcs.
- central module, blanking cover: sheet steel, perforated, metallic grey (RAL9006)
- Quantity: 1 pcs.

**Mounting**

- Mounting method, mounting location: surface-mounted, to the ceiling

**Electrical Connection**

- Connection: terminal, 3-pole, max 2.5mm<sup>2</sup>
- Nominal voltage: 230V, AC, 230..240V, 50Hz

**Dimensions | Weight**

- Diameter: 380 mm
- Height: 84mm
- Weight: 2.4 kg

**Approval**

- Protection rating: IP20
- Insulation class: insulation class I (protective earthing)
- Protection symbol: F
- Permissible ambient temperature: ≤ +25°C
- Standard: EN 50419
- Certification: CE,ENEC,VDE

Dimensions:  
5LR61271TA41AF

Lunis R,1x55W,T16R,ECG,dir

3/3

