

Overview of product data:  
**5XA7517LMS08**

**S2MINI, 34x1W, LED-RGB, ECG, TSG, dir**



RGB-LED



**Product description**

SiCOMPACT® S2 MINI, floodlight, primary light steering with: lens, made of toughened safety glass, light output: direct beam, primary light characteristic: symmetric, installation mode: surface-mounted, for 34 x LED-RGB 1W, light colour: RGB, control gear: ECG, with terminal, 3-pole, max 2.5mm<sup>2</sup>, mains connection: 230V, AC, 50Hz, housing, made of aluminium, coated, Siteco® metallic grey (DB 702S), length: 355 mm, width: 276 mm, mounting bracket, made of steel, galvanised, coated, Siteco® metallic grey (DB 702S), protection rating (complete): IP66, insulation class (complete): insulation class I (protective earthing), approval mark: CE, packing unit: 1 piece,

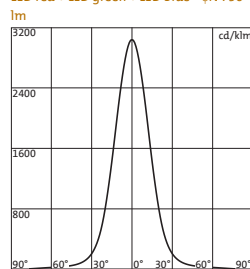
IP 66

Lamps: LED RGB  
Wt. (kg): 5.1  
Order No.: 5XA7517LMS08  
EAN: 4039806854148

**Lighting technology**

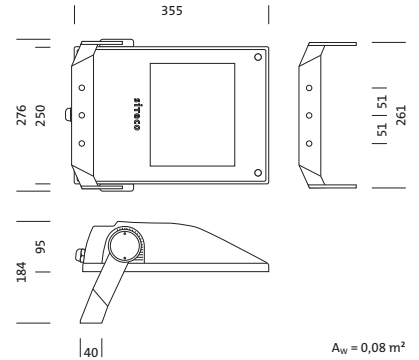
5XA7517LMS08

LED red + LED green + LED blue  $\phi$ N 736

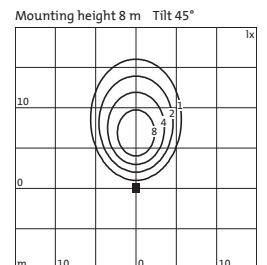


$I_{max}$  3037 cd/klm at  $\gamma$  0°

	C 0/180	C 90/270
$\alpha_{50\%}$	2 x 14.4°	2 x 14.4°
$\alpha_{10\%}$	2 x 27.1°	2 x 27.1°



**Planning data**



**Product data details:**  
**5XA7517LMS08****S2MINI,34x1W,LED-RGB,ECG,TSG,dir**

2/3

**Detailed technical description****Key data**

- Product type: floodlight
- Family: SiCOMPACT® S2 MINI
- Order No.: 5XA7517LMS08

**Lighting technology | Lamps | Ballast****Components 1****Lighting technology:**

- Light control: lens
- Beam angle: diffuse
- Symmetry: symmetric distribution
- Light emission: direct distribution

**Lamps:**

- Light source: LED, LED RGB
- Light colour: RGB

**Ballast:**

- Ballast: ECG

**Material | Colour**

- housing: aluminium, coated, Siteco® metallic grey (DB 702S)
- mounting bracket: steel, galvanised, coated, Siteco® metallic grey (DB 702S)
- Quantity: 1 pcs.

**Mounting**

- Mounting method, mounting location: surface-mounted, to supporting structure, to the cross arm, to the wall
- Arrangement: single arrangement
- Supplement: with mounting bracket

**Electrical Connection**

- Connection: terminal, 3-pole, max 2.5mm<sup>2</sup>
- Nominal voltage: 230V, AC, 220..240V, 50Hz

**Dimensions | Weight**

- Length: 355 mm
- Width: 276 mm
- Weight: 5.1 kg

**Approval**

- Protection rating: IP66
- Insulation class: insulation class I (protective earthing)
- Certification: CE

Dimensions:

5XA7517LMS08

S2MINI,34x1W,LED-RGB,ECG,TSG,dir

3/3

