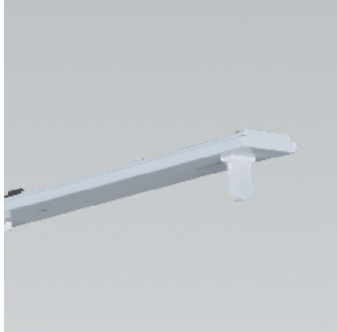


Overview of product data:
5LJ908D1H1

DUS IP20, pure wh, 1x28/54W, T16

1/3



Product description

DUS® IP20, luminaire insert, made of sheet steel, pure white, length: 1.228 mm, width: 60 mm, height: 45mm, 1 x T16 28/54W, control gear: ECG-Multiwatt-DALI, with plug connector, 5-pole, with phase selection, mains connection: 230V, AC/DC, 50/60Hz, protection rating (complete): IP20, insulation class (complete): insulation class I (protective earthing), approval mark: CE, ENEC being prepared, protection symbol: F, packing unit: 1 piece

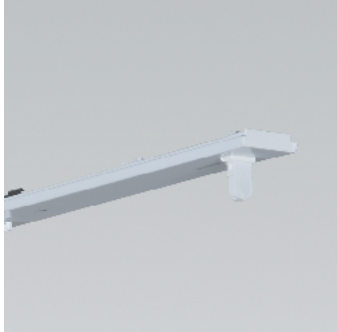


Lamps: 1x T16 28/54W
 Socket: G5
 Wt. (kg): 0.9
 Order No.: 5LJ908D1H1
 EAN: 4050737001999



Product data details:
5LJ908D1H1**DUS IP20,pure wh,1x28/54W,T16**

2/3

**Detailed technical description****Key data**

- Product type: trunking components group (LE)
- Family: DUS® IP20
- Order No.: 5LJ908D1H1

Lighting technology | Lamps | Ballast**Components 1****Lighting technology:**

- Symmetry: symmetric distribution

Lamps:

- Light source: fluorescent lamp, 1x T16 28/54W
- Socket: G5

Ballast:

- Ballast: ECG Multiwatt(DALI)

Material | Colour

- luminaire insert: sheet steel, pure white

Electrical Connection

- Connection: plug connector, 5-pole, with phase selection
- Nominal voltage: 230V, AC/DC, 220..240V, 50/60Hz

Dimensions | Weight

- Length: 1228 mm
- Width: 60 mm
- Height: 45mm
- Weight: 0.9 kg

Approval

- Protection rating: IP20
- Insulation class: insulation class I (protective earthing)
- Protection symbol: F
- Certification: CE, ENEC being prepared

Dimensions:
5LJ908D1H1

DUS IP20,pure wh,1x28/54W,T16

3/3

