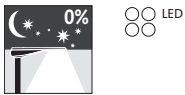


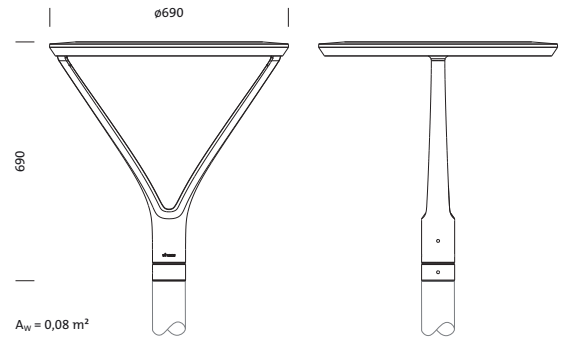
Overview of product data:  
**5XA5128LNS008**

**DL®20,LED,ECG,Plus,TSG clear glass,dir**



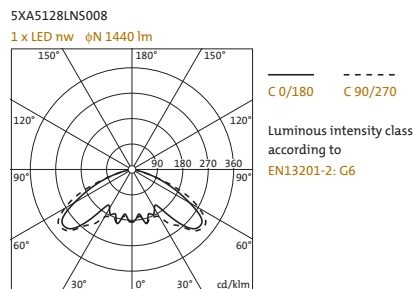
**Product description**

DL 20 LED, mast luminaire, primary light steering with: reflector, highly specular, primary enclosure: housing enclosure, made of toughened safety glass of clear glass with excellent transmission level, light output: direct beam, primary light characteristic: symmetric, installation mode: post top, LED light colour: neutral white, control gear: ECG Plus, control: time-dependent luminous flux control, flexible luminous flux parameterisation, power reduction, overheat protection, digital communication interface, constant luminous flux control, electronic power reduction, mains connection: 220..240V, 50/60Hz, Start of lifetime: 29 W, End of lifetime: 39 W, Reduction: 12 W, luminaire housing, upper part, made of aluminium, powder-coated, Siteco® metallic grey (DB 702S), 76mm (post top), housing, made of aluminium, powder-coated, Siteco® metallic grey (DB 702S), protection rating (complete): IP66, insulation class (complete): insulation class II (safety insulation), approval mark: CE, ENEC being prepared, packing unit: 1 piece,

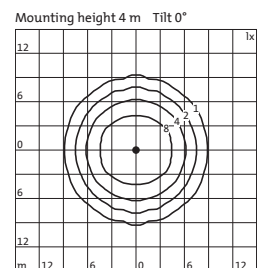


Lamps: LED nw  
Wt. (kg): 18.1  
Order No.: 5XA5128LNS008  
EAN: 4050737031774

**Lighting technology**



**Planning data**



Product data details:  
**5XA5128LNS008**

**DL®20,LED,ECG,Plus,TSG clear glass,dir**

2/3



#### Detailed technical description

##### Key data

- Product type: mast luminaire
- Family: DL 20 LED
- Order No.: 5XA5128LNS008

##### Lighting technology | Lamps | Ballast

##### Components 1

##### Lighting technology:

- Light control: reflector, highly specular
- Cover: housing enclosure
- Beam angle: wide distribution
- Symmetry: symmetric distribution
- Light emission: direct distribution

##### Lamps:

- Light source: LED nw
- Light colour: neutral white

##### Ballast:

- Ballast: ECG Plus

##### Material | Colour

- luminaire housing, upper part: aluminium, powder-coated, Siteco® metallic grey (DB 702S)
- housing: aluminium, powder-coated, Siteco® metallic grey (DB 702S)
- Cover: housing enclosure of toughened safety glass of clear glass with excellent transmission level

##### Mounting

- Mounting method, mounting location: post top, on mast

##### Electrical Connection

- Nominal voltage: 220..240V, 50/60Hz

##### Dimensions | Weight

- Mast head: spigot size: 76mm
- Weight: 18.1 kg

##### Approval

- Protection rating: IP66
- Insulation class: insulation class II (safety insulation)
- Certification: CE, ENEC being prepared

##### Light emission

- Light emission: 0%

Dimensions:  
5XA5128LNS008

DL®20,LED,ECG,Plus,TSG clear glass,dir

3/3

