

traxon



Wall Washer Shield XB RGB

XB.WF.xxxxxxx
XB.WG.xxxxxxx

Wall Washer Shield XB RGB is a IP66-rated high-power lighting fixture packed with Luxeon® LEDs that generates high brightness single color or color changing light for a rich wall-washing effect. The Wall Washer Shield is suitable for indoor or outdoor use and equipped with a host of customization options including LED type, LED color, beam angles, and lenses.



IP66

PRODUCT SPECIFICATIONS

- **Light Source:** WF: 18 High intensity power LEDs
WG: 36 High intensity power LEDs
- **Color Range:** 16.7 million additive RGB colors
- **Color Resolution:** 3 x 8-bit continuously variable intensity output range
- **Color Options:** RGB, red, green, blue
- **Beam Angle¹:** 10°, 20°, 30°, 40°, 40°x10°, open beam
- **Luminous Flux²:** WF: 573 lm (30° optics)
WG: 1114 lm (30° optics)
- **Efficacy²:** WF: 21.2 lm/W (30° optics)
WG: 20.6 lm/W (30° optics)
- **Cover Lens:** Clear tempered glass
- **Housing:** Aluminium die cast
- **Adjustment Options:** 360° (horizontal), 170° (vertical)
- **Size:** WF: 198mm (L) x 137mm (W) x 200mm (H) / 7.8" (L) x 5.4" (W) x 7.9" (H)
WG: 356mm (L) x 137mm (W) x 200mm (H) / 14" (L) x 5.4" (W) x 7.9" (H)
- **Weight:** WF: 1.7kg / 3.75lbs
WG: 2.8kg / 6.16lbs
- **Regulatory Listing & Safety Approval:** CE, FCC, cETLus
- **Operating Temperature³:** -20°C to +60°C / -4°F to +140°F
- **Storage Temperature:** -40°C to +70°C / -40°F to +158°F
- **Environment:** Outdoor (IP66)
- **Humidity:** 85%, non-condensing

ELECTRICAL SPECIFICATIONS

- **Power Consumption:** 21W typ. / 27W max.
42W typ. / 54W max.
- **LED Current:** 350mA DC

SYSTEM SPECIFICATIONS

- **Power/Data Interface:** TX CONNECT XB Indoor/Outdoor
- **Control:** DMX512 or standalone control by preset programs on LED Engine XB-SD
- **Power Supply:** LED Engine XB-SD

1. FWHM. Corrected notation to previous specifications, 10 was 6; 20 was 15; 30 was 25; 40 was 40; 40x10 was 25x6.

2. Based on photometric data from Wall Washer Shield AC XB-36 and maximum power consumption of this fixture.

3. The Wall Washer Shield XB has a built-in temperature monitoring circuit for protection from extreme operating temperatures. The light output will dim when the temperature rises to an unsafe level. Avoid installing the fixture in an enclosed area and allow sufficient ventilation for convection cooling.

LED CHARACTERISTICS Because LEDs are semiconductor devices, their performances are subject to inherent variability commonly found in semiconductor industry. To improve consistency in performance across the same product, LED manufacturers "sort" LEDs into bins according to different preset parameters, such as forward driving voltage, illumination, etc. Whereas binning is a sorting function, it is not a correction process. Inherent variability in the manufacturing process results always in different binning distributions according to different production lots. Traxon uses automatically binned LEDs on its products, thereby minimizing output variations within the model range.

As with all electronic devices, LED output degrades over time – a term called lumen depreciation. This also explains why it is nearly impossible to expect photometric performances of two LED products with different service life spans to be the same. The rate of LED degrade is a complicate function of many factors such as operating efficiency, duration of continuous operation, and more significantly, environmental conditions (ambient temperature for example). If allowed working under optimal operating temperature range and with good ventilation, LED devices enjoy long service lives over conventional light sources. When using/installing LED devices, care should be taken to ensure that the devices will operate within the operating conditions specified in respective product literature.

WWW.TRAXONTECHNOLOGIES.COM

© 2010 TRAXON TECHNOLOGIES ALL RIGHTS RESERVED. TRAXON™, TX CONNECT™, LUXILED™ ARE TRADEMARKS OF TRAXON TECHNOLOGIES. U.S. PATENTS, E.U. PATENTS, JAPAN PATENTS, OTHER PATENTS PENDING. SPECIFICATIONS ARE SUBJECT TO CHANGE WITHOUT NOTICE.

12/10, V1.0



Photometric data based on Washer Shield AC

SOURCE SPECIFICATIONS

Source: 36 LEDs RGB (12xR, 12xG, 12xB)

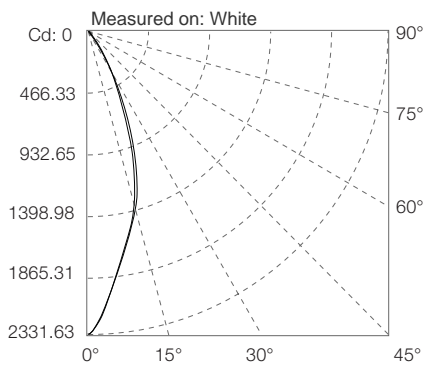
Optics: 30°

Cover Lens: Clear glass cover

Distribution: Asymmetric direct illumination

CANDELA DISTRIBUTION

LIGHT OUTPUT



Color	Luminous Flux (lumens)
White	1113.8
Red	316.16
Green	722.73
Blue	111.07

ILLUMINANCE AT A DISTANCE

	Center Beam LUX	Beam Width	
		V	H
2m	582.91	1.3m	1.3m
4m	145.73	2.6m	2.7m
6m	64.77	3.8m	4.0m
8m	36.43	5.1m	5.3m
10m	23.32	6.4m	6.6m
12m	16.19	7.7m	8.0m

For fc divide by 10.7

Vert.Spread: 35.6°

Horiz.Spread: 36.7°

For feet multiply by 3.28

traxon

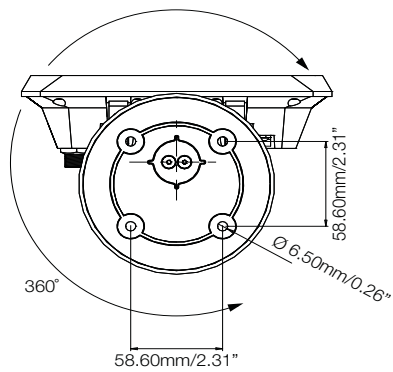
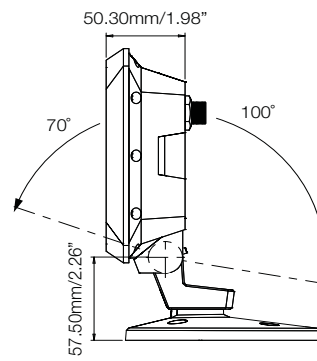
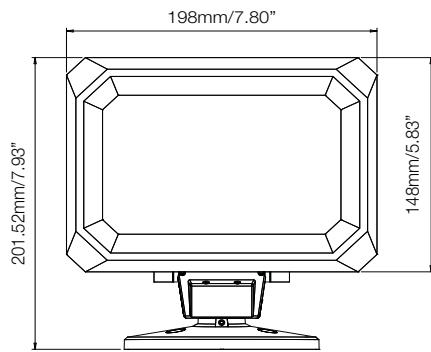
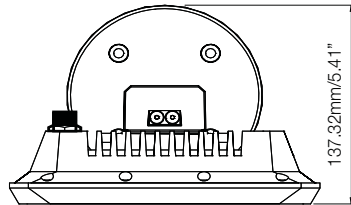


Wall Washer Shield XB RGB

Dimensions

TECHNICAL DRAWING

Wall Washer Shield XB-18



traxon

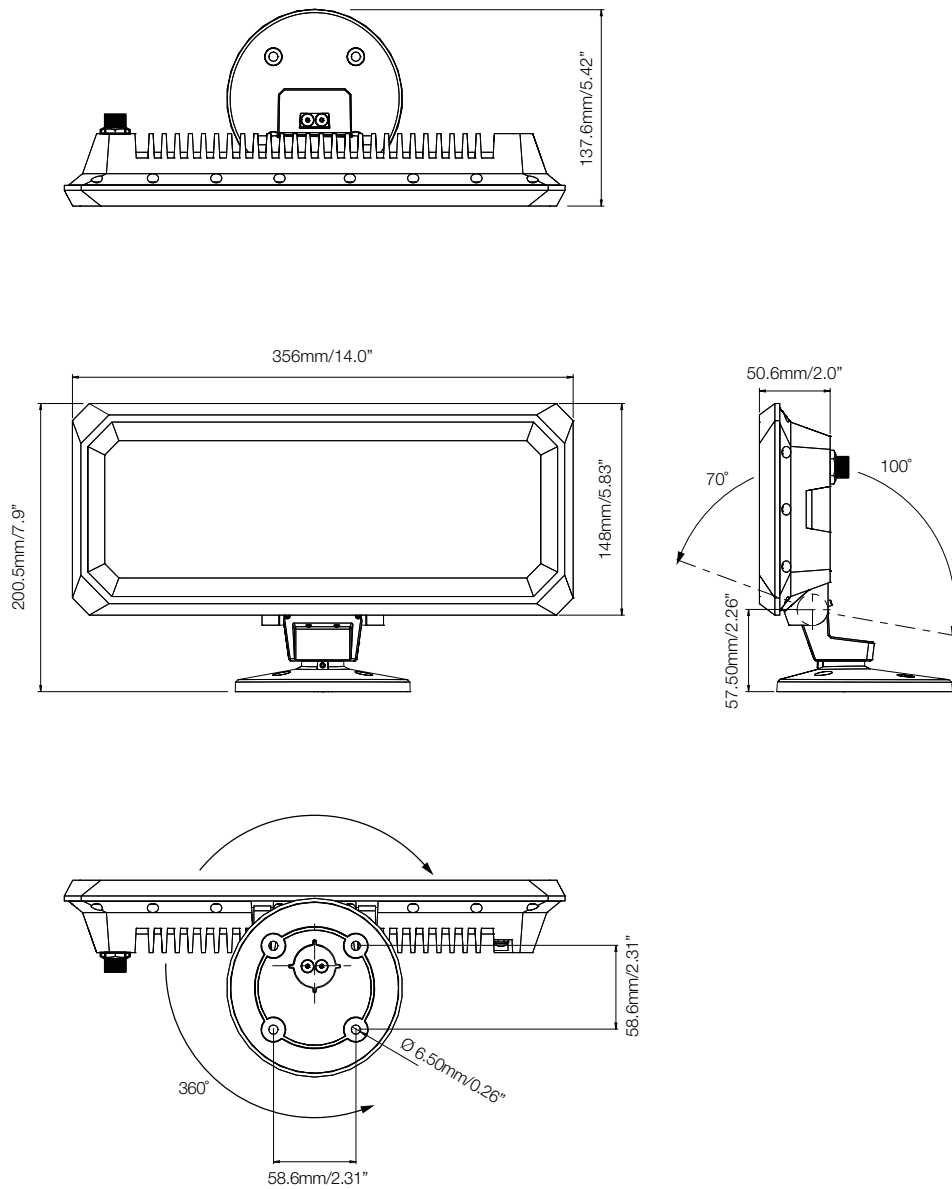


Wall Washer Shield XB RGB

Dimensions

TECHNICAL DRAWING

Wall Washer Shield XB-36



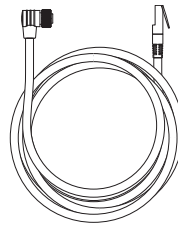
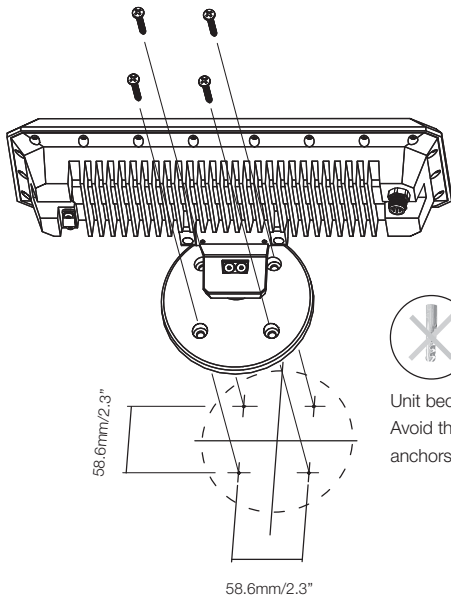
WWW.TRAXONTECHNOLOGIES.COM

© 2010 TRAXON TECHNOLOGIES ALL RIGHTS RESERVED. TRAXON™, TX CONNECT™, LUXILED™ ARE TRADEMARKS OF TRAXON TECHNOLOGIES. U.S. PATENTS, E.U. PATENTS, JAPAN PATENTS, OTHER PATENTS PENDING. SPECIFICATIONS ARE SUBJECT TO CHANGE WITHOUT NOTICE.

12/10, V1.0



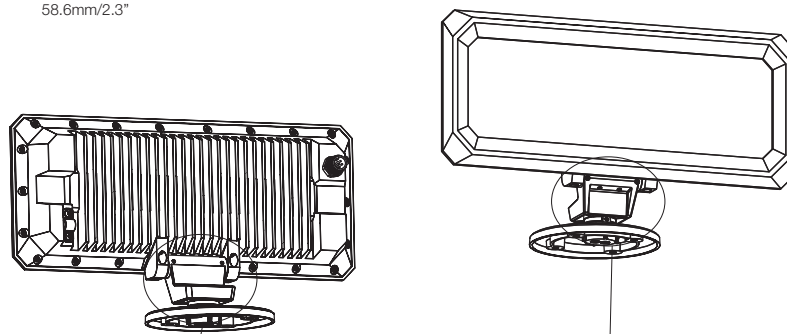
MOUNTING



TX Connect XB Indoor/Outdoor
Bridge Cable 3m/9.9ft (included)
(XE.AC.0000100)

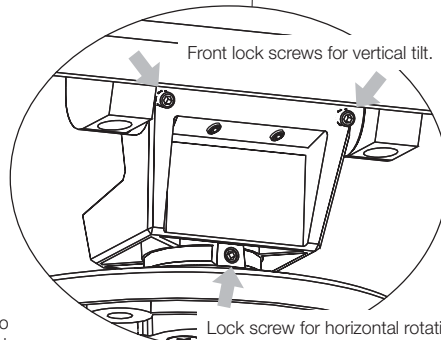
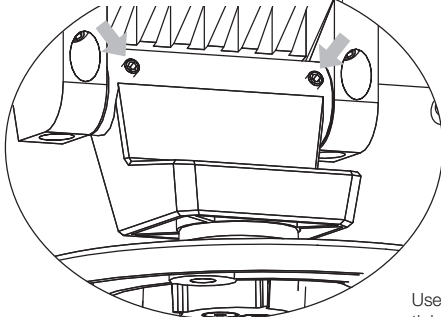


Unit becomes hot during operation.
Avoid the use of plastic expansion
anchors or wall plugs for mounting.



Rear lock screws for vertical tilt.

Front lock screws for vertical tilt.



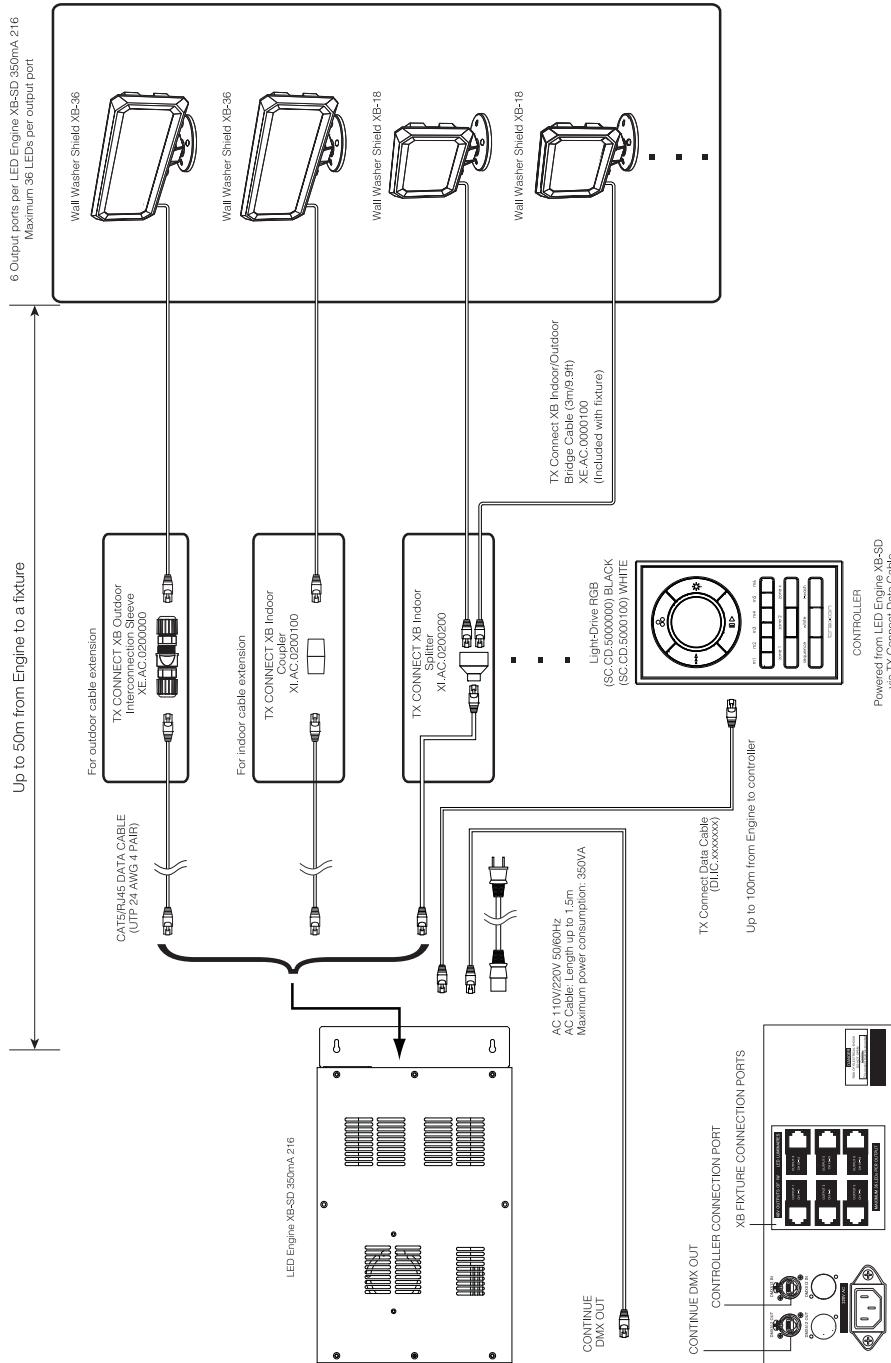
Use hex key to
tighten the lock screws.

Lock screw for horizontal rotation.

Attention: Glass top cover – Please take care when handling unit to avoid breakage and injury.



SYSTEM DIAGRAM

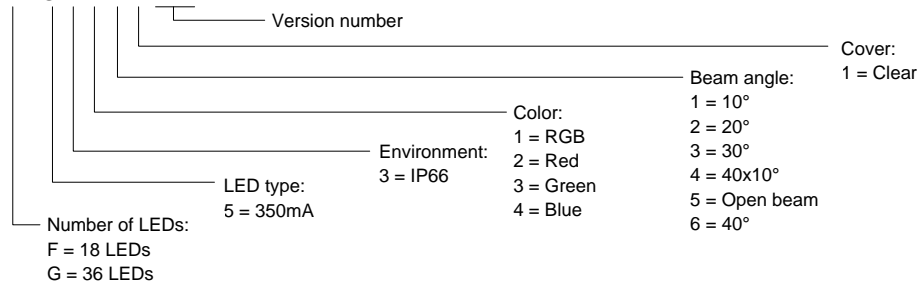


NOTE:
1. LED ENGINE SHOULD BE PLACED INDOOR DRY CONDITION.
2. MAXIMUM NUMBER OF 36-LED FIXTURES PER LED ENGINE XB-SD 350mA 216 IS 6 PCS.



MODEL NUMBER

X B .W x . 5 x x x x x x



STANDARD ACCESSORIES (included in delivery)

Model No.	Description
	TX CONNECT XB Indoor/Outdoor Bridge Cable, 3m/9.9ft

TX CONTROL

Model No.	Description
CS.MA.5000000	Micro Server
SC.CD.5000000	Light-Drive RGB (Black)
SC.CD.5000100	Light-Drive RGB (White)
SC.JD.5010000	Light-Drive Jog RGB (Black)

TX CONNECT

Model No.	Description
XI.IC.1000000	TX CONNECT XB Interconnection Cable (10m/32.8ft)
XI.IC.2000000	TX CONNECT XB Interconnection Cable (20m/65.6ft)
XI.AC.0200200	TX CONNECT XB Splitter
XI.AC.0200100	TX CONNECT XB Coupler
XE.AC.0200000	TX CONNECT XB Outdoor Interconnection Sleeve
DI.IC.0020000	TX CONNECT Data Cable (20cm/0.65ft)
DI.IC.0100000	TX CONNECT Data Cable (1m/3.28ft)
DI.IC.0300000	TX CONNECT Data Cable (3m/9.84ft)
DI.IC.0500000	TX CONNECT Data Cable (5m/16.4ft)
DI.IC.1000000	TX CONNECT Data Cable (10m/32.8ft)
DI.IC.2000000	TX CONNECT Data Cable (20m/65.6ft)

TX POWER

Model No.	Description
PX.IC.5060100	LED Engine XB-SD 350mA 216 220V
PX.IC.5060200	LED Engine XB-SD 350mA 216 110V
PX.ID.5120100	LED Engine XB-SD Rackmount 350mA 432 220V
PX.ID.5120200	LED Engine XB-SD Rackmount 350mA 432 110V
PS.AC.0000x00	AC Power Cord (2m/6.6ft); 1=EU, 2=US, 3=UK, 4=AU, 5=JP