

DALI MULTI 3



Control unit Fitting instructions

Description

Function and application

The DALI MULTI 3 control unit controls brightness at the workplace and in offices to increase comfort and save energy.

The control unit can be installed in luminaires (e.g. floor standing luminaires) or in suspended ceilings.

Function

The sensors measure the brightness in the area to be regulated and keep this to an adjustable set value by introducing artificial light according to the amount of daylight available.

The sensors also detect the presence of people.

When daylight is sufficient or people are no longer present, the connected luminaires switch off.

Brightness control and motion detection can be activated and deactivated via various operating modes.

Connections

The control unit has the following connections:

- Sensors (A)
- Pushbuttons (B)
- Control lines (C)
- Mains connection (D)



Installation

Safety instructions

The control unit must only be installed and put into operation by a qualified electrician. The applicable safety regulations and accident prevention regulations must be observed.



WARNING!

Exposed, live cables or damaged housing.

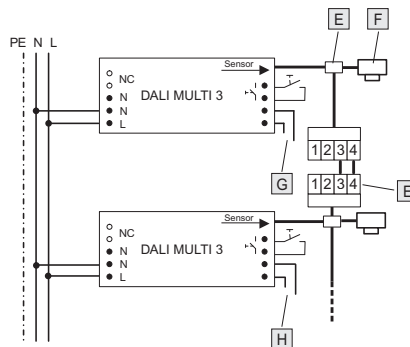
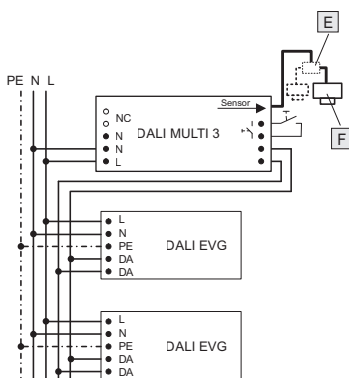
Danger of electric shock!

- Only work on the control unit when it is de-energised.

CAUTION!

Destruction of the control unit and other devices through incorrect mounting!

- Do not operate any other control units on the control line.
- Use the LMS CI BOX mounting kit for ceiling installation.
- Ensure that the external pushbutton is designed for the mains voltage.
- Do not wire the control and pushbutton lines with an external voltage, especially not a mains voltage of 230 V.
- Do not exceed the maximum number of electronic ballasts.
- Do not route sensor lines together with power supply lines.
- Provide for adequate insulation from the mains voltage.



Connecting the control unit

Left: Individual operation with up to 4 sensors

Right: Networked operation with up to 4 DALI MULTI3 control units and central motion detection

E Y-branch

F Sensor

G to DALI luminaire group 1

H to DALI luminaire group 2

IV 2009

DALI_Multi3_ma0904en_we1.01.indd

OSRAM GmbH
Kunden Service Center
Customer-Service-Center (CSC)

Steinerne Furt 62
86167 Augsburg
Germany

Tel : +49 (0) 1803 677 - 200
(kostenpflichtig / charges apply)
Fax.: +49 (0) 1803 677 - 202

www.osram.com

www.osram.de

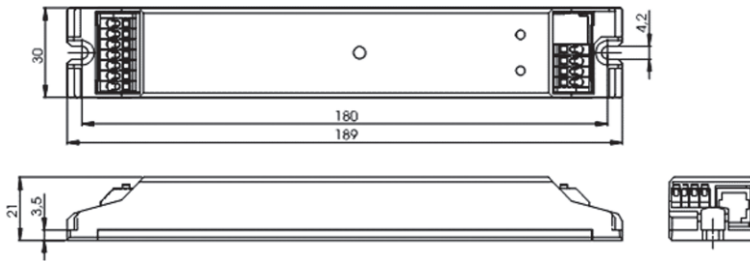


4050300802084

Continued on the back page!

Technical data

Operating voltage	100-240 V / 50-60 Hz DC operation permissible
Supply connection	L, N (PE not required)
Control connections	DALI IEC 62386, a maximum of 32 electronic ballasts can be connected, max. line length 100 m
Pushbutton input	Potential-free make contact, max. line length 100 m
Sensor connection	Max. 4 sensors, max. line length 100 m Pin assignment: 1: Supply voltage 2: Light measurement value 3: Motion signal 4: Signal ground
Fuse	External 16 A
Power consumption	Approx. 1.4 W
Operating temperature	0 °C ... +50 °C
Protection type	IP 20
Protection class	II
Dimensions (L x W x H)	189 x 30 x 21 mm



The CE requirements are fulfilled as per EN 60928 The EMC requirements are fulfilled as per EN 61547.



Conformity with the relevant EU directives is confirmed by the CE symbol.